

GEC Durham Industries, Inc.

TYPE AB

INSTRUMENT CURRENT TRANSFORMER
600 VOLT CLASS INTERMEDIATE WINDOW TYPE

Standard features:

60 Hertz, 600 VAC, 10KV Bil.
Clear sealable secondary terminal cover.
Retained shorting device.
Certified test record with each transformer.
Meets ANSI, NEMA and EEI standards.



TYPE AB WITH STUD TYPE SECONDARY TERMINALS ALUMINUM LOW MOUNTING BASE INCLUDED							
SINGLE RATIO							
MODEL	PRIMARY AMPS	CATALOG NUMBER	BURDEN 0.3 ACCURACY CLASS	30 C RATING FACTOR	55 C RATING FACTOR	FIGURE	WEIGHT
AB1	100	93K	0.1	4.0	4.0	2	11 lbs
AB1	100	99K	0.2	4.0	4.0	1	13 lbs
AB2	200	100K	0.5	4.0	4.0	2	11 lbs
AB3	300	101K	0.5	3.0	2.4	2	11 lbs
AB4	400	102K	0.5	4.0	3.0	5	7 lbs
AB6	600	103K	0.5	2.0	1.5	5	6 lbs
AB8	800	104K	0.5	2.0	1.5	5	6 lbs
DUAL RATIO							
AB2/4	200/400	110K	0.5/0.5	4.0/2.0	3.0/1.5	2	11 lbs
AB3/6	300/600	111K	0.5/0.5	2.0/2.0	1.5/1.5	5	7 lbs
AB4/8	400/800	112K	0.5/0.5	2.0/2.0	1.5/1.5	5	7 lbs

Specifications subject to change without notice

5/26/04

**TYPE AB
WITH STUD TYPE SECONDARY TERMINALS
ALUMINUM 1" HIGH MOUNTING BASE INCLUDED**

SINGLE RATIO

MODEL	PRIMARY AMPS	CATALOG NUMBER	BURDEN 0.3 ACCURACY CLASS	30 C RATING FACTOR	55 C RATING FACTOR	FIGURE	WEIGHT
AB1	100	93KH	0.1	4.0	4.0	4	11 lbs
AB1	100	99KH	0.2	4.0	4.0	3	13 lbs
AB2	200	100KH	0.5	4.0	4.0	4	11 lbs
AB3	300	101KH	0.5	3.0	2.4	4	11 lbs
AB4	400	102KH	0.5	4.0	3.0	6	7 lbs
AB6	600	103KH	0.5	2.0	1.5	6	6 lbs
AB8	800	104KH	0.5	2.0	1.5	6	6 lbs

DUAL RATIO							
AB2/4	200/400	110KH	0.5/0.5	4.0/2.0	3.0/1.5	4	11 lbs
AB3/6	300/600	111KH	0.5/0.5	2.0/2.0	1.5/1.5	6	7 lbs
AB4/8	400/800	112KH	0.5/0.5	2.0/2.0	1.5/1.5	6	7 lbs

**TYPE AB
WITH PRESSURE TYPE SECONDARY TERMINALS
ALUMINUM LOW MOUNTING BASE INCLUDED**

SINGLE RATIO

MODEL	PRIMARY AMPS	CATALOG NUMBER	BURDEN 0.3 ACCURACY CLASS	30 C RATING FACTOR	55 C RATING FACTOR	FIGURE	WEIGHT
AB1	100	93KP	0.1	4.0	4.0	2	11 lbs
AB1	100	99KP	0.2	4.0	4.0	1	13 lbs
AB2	200	100KP	0.5	4.0	4.0	2	11 lbs
AB3	300	101KP	0.5	3.0	2.4	2	11 lbs
AB4	400	102KP	0.5	4.0	3.0	5	7 lbs
AB6	600	103KP	0.5	2.0	1.5	5	6 lbs
AB8	800	104KP	0.5	2.0	1.5	5	6 lbs

DUAL RATIO							
AB2/4	200/400	110KP	0.5/0.5	4.0/2.0	3.0/1.5	2	11 lbs
AB3/6	300/600	111KP	0.5/0.5	2.0/2.0	1.5/1.5	5	7 lbs
AB4/8	400/800	112KP	0.5/0.5	2.0/2.0	1.5/1.5	5	7 lbs

**TYPE AB
WITH PRESSURE TYPE SECONDARY TERMINALS
ALUMINUM 1" HIGH MOUNTING BASE INCLUDED**

SINGLE RATIO

MODEL	PRIMARY AMPS	CATALOG NUMBER	BURDEN 0.3 ACCURACY CLASS	30 C RATING FACTOR	55 C RATING FACTOR	FIGURE	WEIGHT
AB1	100	93KHP	0.1	4.0	4.0	4	11 lbs
AB1	100	99KHP	0.2	4.0	4.0	3	13 lbs
AB2	200	100KHP	0.5	4.0	4.0	4	11 lbs
AB3	300	101KHP	0.5	3.0	2.4	4	11 lbs
AB4	400	102KHP	0.5	4.0	3.0	6	7 lbs
AB6	600	103KHP	0.5	2.0	1.5	6	6 lbs
AB8	800	104KHP	0.5	2.0	1.5	6	6 lbs

DUAL RATIO							
AB2/4	200/400	110KHP	0.5/0.5	4.0/2.0	3.0/1.5	4	11 lbs
AB3/6	300/600	111KHP	0.5/0.5	2.0/2.0	1.5/1.5	6	7 lbs
AB4/8	400/800	112KHP	0.5/0.5	2.0/2.0	1.5/1.5	6	7 lbs

Specifications subject to change without notice

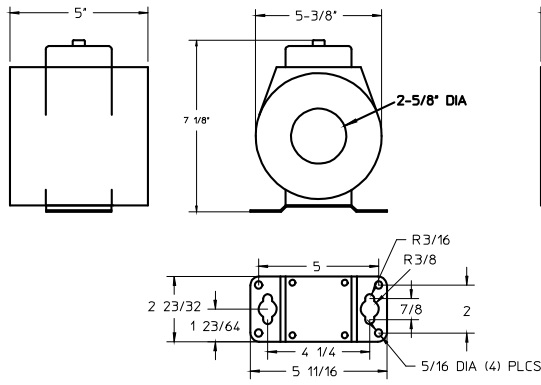


FIGURE 1

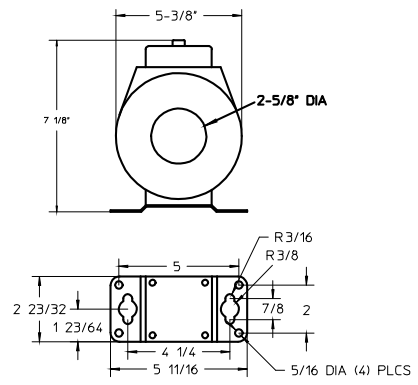


FIGURE 2

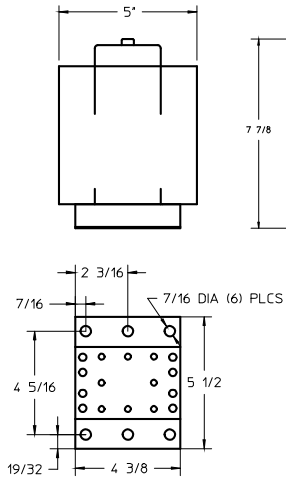


FIGURE 3

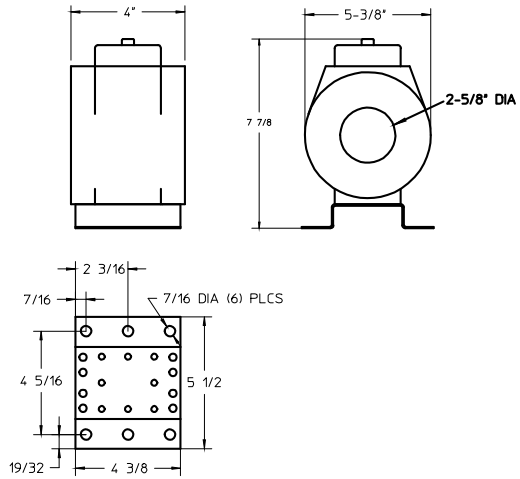


FIGURE 4

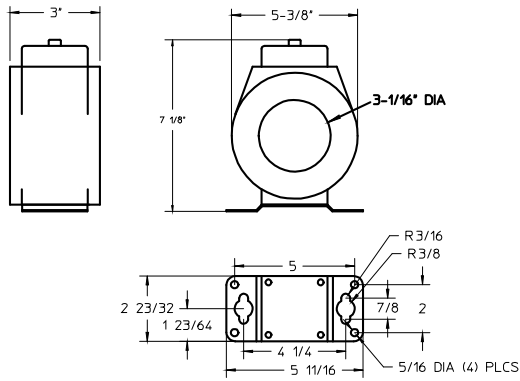
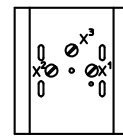


FIGURE 5



H¹

DUAL RATIO TERMINAL ARRANGEMENT

200/400:5

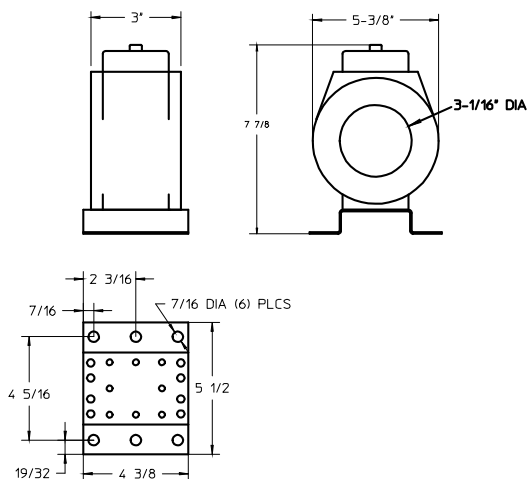
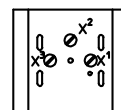


FIGURE 6



H¹

DUAL RATIO TERMINAL ARRANGEMENT

300/600:5, 400/800:5