

GEC Durham Industries, Inc.

TYPE AB

INSTRUMENT CURRENT TRANSFORMER
600 VOLT CLASS INTERMEDIATE BAR TYPE

Standard features:

60 Hertz, 600 VAC, 10KV Bil.
Clear sealable secondary terminal cover.
Retained shorting device.
Tin plated copper removable bus bar.
#6-14 Potential terminal.
Certified test record with each transformer.
Meets ANSI, NEMA and EEI standards.



TYPE AB WITH REMOVABLE BUS BAR WITH STUD TYPE SECONDARY TERMINALS ALUMINUM LOW MOUNTING BASE INCLUDED							
SINGLE RATIO							
MODEL	PRIMARY AMPS	CATALOG NUMBER	BURDEN 0.3 ACCURACY CLASS	30 C RATING FACTOR	55 C RATING FACTOR	FIGURE	WEIGHT
AB11	100	124K	0.1	4.0	4.0	2	11 lbs
AB11	100	122K	0.2	4.0	4.0	1	15 lbs
AB21	200	105K	0.5	4.0	4.0	2	13 lbs
AB31	300	106K	0.5	2.0	1.5	2	13 lbs
AB41	400	107K	0.5	4.0	3.0	5	11 lbs
AB61	600	108K	0.5	2.0	1.5	5	10 lbs
AB81	800	109K	0.5	2.0	1.5	5	10 lbs
AB101	1000	134K	0.5	2.0	1.5	6	10 lbs
AB121	1200	135K	1.8	1.5	1.1	6	10 lbs
AB151	1500	136K	1.8	1.5	1.1	9	12 lbs
AB205	2000	137K	1.8	1.5	1.1	10	18 lbs
AB301	3000	138K	1.8	1.33	1.0	13	20 lbs
AB401	4000	139K	1.8	1.0	0.7	13	21 lbs
DUAL RATIO							
AB2/41	200/400	113K	0.5/0.5	4.0/2.0	3.0/1.5	2	13 lbs
AB3/61	300/600	114K	0.5/0.5	2.0/2.0	1.5/1.5	5	11 lbs
AB4/81	400/800	115K	0.5/0.5	2.0/2.0	1.5/1.5	5	11 lbs
AB10/201	1000/2000	143K	0.5/1.8	2.0/1.5	1.5/1.1	10	18 lbs
AB15/301	1500/3000	144K	1.8/1.8	1.5/1.33	1.1/1.0	13	21 lbs
AB20/401	2000/4000	145K	1.8/1.8	1.5/1.0	1.1/0.7	13	21 lbs

Specifications subject to change without notice

5/26/04

**TYPE AB
WITH REMOVABLE BUS BAR
WITH STUD TYPE SECONDARY TERMINALS
ALUMINUM 1" HIGH MOUNTING BASE INCLUDED**

SINGLE RATIO

MODEL	PRIMARY AMPS	CATALOG NUMBER	BURDEN 0.3 ACCURACY CLASS	30 C RATING FACTOR	55 C RATING FACTOR	FIGURE	WEIGHT
AB11	100	124KH	0.1	4.0	4.0	4	11 lbs
AB11	100	122KH	0.2	4.0	4.0	3	15 lbs
AB21	200	105KH	0.5	4.0	4.0	4	13 lbs
AB31	300	106KH	0.5	2.0	1.5	4	13 lbs
AB41	400	107KH	0.5	4.0	3.0	7	11 lbs
AB61	600	108KH	0.5	2.0	1.5	7	10 lbs
AB81	800	109KH	0.5	2.0	1.5	7	10 lbs
AB101	1000	134KH	0.5	2.0	1.5	8	10 lbs
AB121	1200	135KH	1.8	1.5	1.1	8	10 lbs
AB151	1500	136KH	1.8	1.5	1.1	11	12 lbs
AB205	2000	137KH	1.8	1.5	1.1	12	18 lbs
AB301	3000	138KH	1.8	1.33	1.0	14	20 lbs
AB401	4000	139KH	1.8	1.0	0.7	14	21 lbs

DUAL RATIO

AB2/41	200/400	113KH	0.5/0.5	4.0/2.0	3.0/1.5	4	13 lbs
AB3/61	300/600	114KH	0.5/0.5	2.0/2.0	1.5/1.5	7	11 lbs
AB4/81	400/800	115KH	0.5/0.5	2.0/2.0	1.5/1.5	7	11 lbs
AB10/201	1000/2000	143KH	0.5/1.8	2.0/1.5	1.5/1.1	12	18 lbs
AB15/301	1500/3000	144KH	1.8/1.8	1.5/1.33	1.1/1.0	14	21 lbs
AB20/401	2000/4000	145KH	1.8/1.8	1.5/1.0	1.1/0.7	14	21 lbs

**TYPE AB
WITH REMOVABLE BUS BAR
WITH PRESSURE TYPE SECONDARY TERMINALS
ALUMINUM LOW MOUNTING BASE INCLUDED**

SINGLE RATIO

MODEL	PRIMARY AMPS	CATALOG NUMBER	BURDEN 0.3 ACCURACY CLASS	30 C RATING FACTOR	55 C RATING FACTOR	FIGURE	WEIGHT
AB11	100	124KP	0.1	4.0	4.0	2	11 lbs
AB11	100	122KP	0.2	4.0	4.0	1	15 lbs
AB21	200	105KP	0.5	4.0	4.0	2	13 lbs
AB31	300	106KP	0.5	2.0	1.5	2	13 lbs
AB41	400	107KP	0.5	4.0	3.0	5	11 lbs
AB61	600	108KP	0.5	2.0	1.5	5	10 lbs
AB81	800	109KP	0.5	2.0	1.5	5	10 lbs
AB101	1000	134KP	0.5	2.0	1.5	6	10 lbs
AB121	1200	135KP	1.8	1.5	1.1	6	10 lbs
AB151	1500	136KP	1.8	1.5	1.1	9	12 lbs
AB205	2000	137KP	1.8	1.5	1.1	10	18 lbs
AB301	3000	138KP	1.8	1.33	1.0	13	20 lbs
AB401	4000	139KP	1.8	1.0	0.7	13	21 lbs

DUAL RATIO

AB2/41	200/400	113KP	0.5/0.5	4.0/2.0	3.0/1.5	2	13 lbs
AB3/61	300/600	114KP	0.5/0.5	2.0/2.0	1.5/1.5	5	11 lbs
AB4/81	400/800	115KP	0.5/0.5	2.0/2.0	1.5/1.5	5	11 lbs
AB10/201	1000/2000	143KP	0.5/1.8	2.0/1.5	1.5/1.1	10	18 lbs
AB15/301	1500/3000	144KP	1.8/1.8	1.5/1.33	1.1/1.0	13	21 lbs
AB20/401	2000/4000	145KP	1.8/1.8	1.5/1.0	1.1/0.7	13	21 lbs

**TYPE AB
WITH REMOVABLE BUS BAR
WITH PRESSURE TYPE SECONDARY TERMINALS
ALUMINUM 1" HIGH MOUNTING BASE INCLUDED**

SINGLE RATIO

MODEL	PRIMARY AMPS	CATALOG NUMBER	BURDEN 0.3 ACCURACY CLASS	30 C RATING FACTOR	55 C RATING FACTOR	FIGURE	WEIGHT
AB11	100	124KHP	0.1	4.0	4.0	4	11 lbs
AB11	100	122KHP	0.2	4.0	4.0	3	15 lbs
AB21	200	105KHP	0.5	4.0	4.0	4	13 lbs
AB31	300	106KHP	0.5	2.0	1.5	4	13 lbs
AB41	400	107KHP	0.5	4.0	3.0	7	11 lbs
AB61	600	108KHP	0.5	2.0	1.5	7	10 lbs
AB81	800	109KHP	0.5	2.0	1.5	7	10 lbs
AB101	1000	134KHP	0.5	2.0	1.5	8	10 lbs
AB121	1200	135KHP	1.8	1.5	1.1	8	10 lbs
AB151	1500	136KHP	1.8	1.5	1.1	11	12 lbs
AB205	2000	137KHP	1.8	1.5	1.1	12	18 lbs
AB301	3000	138KHP	1.8	1.33	1.0	14	20 lbs
AB401	4000	139KHP	1.8	1.0	0.7	14	21 lbs

DUAL RATIO

AB2/41	200/400	113KHP	0.5/0.5	4.0/2.0	3.0/1.5	4	13 lbs
AB3/61	300/600	114KHP	0.5/0.5	2.0/2.0	1.5/1.5	7	11 lbs
AB4/81	400/800	115KHP	0.5/0.5	2.0/2.0	1.5/1.5	7	11 lbs
AB10/201	1000/2000	143KHP	0.5/1.8	2.0/1.5	1.5/1.1	12	18 lbs
AB15/301	1500/3000	144KHP	1.8/1.8	1.5/1.33	1.1/1.0	14	21 lbs
AB20/401	2000/4000	145KHP	1.8/1.8	1.5/1.0	1.1/0.7	14	21 lbs

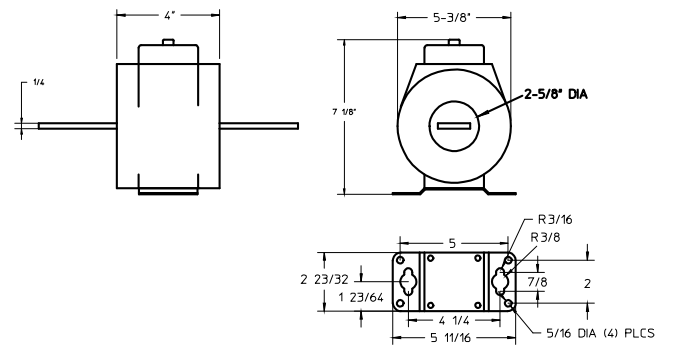
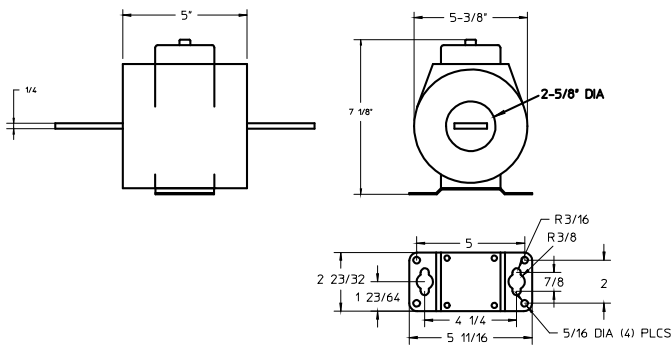
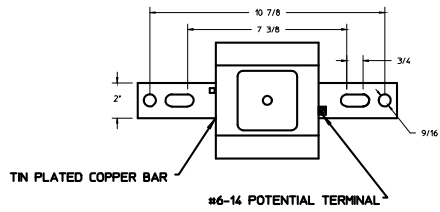
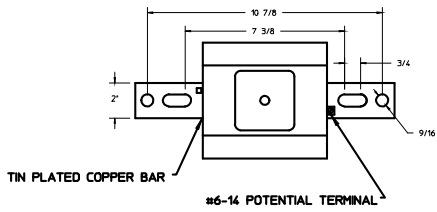


FIGURE 1

FIGURE 2

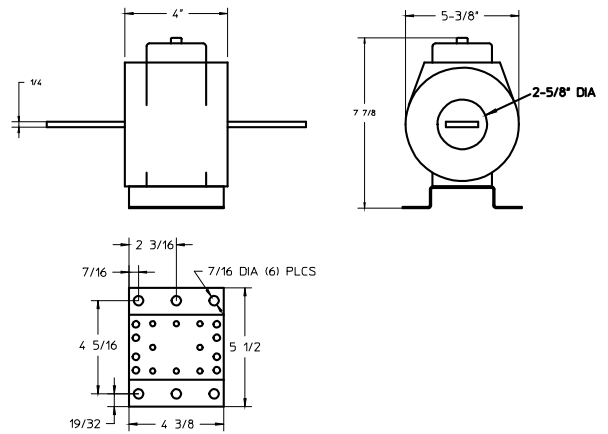
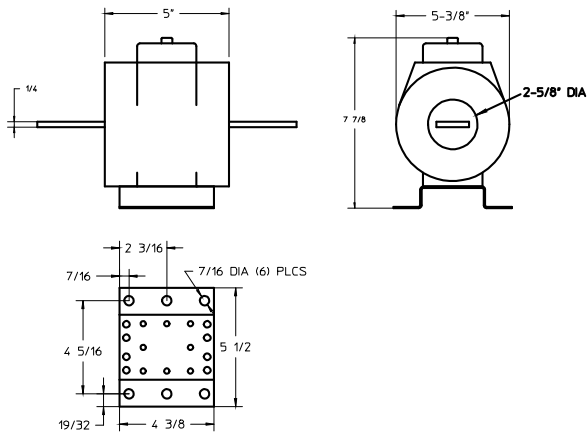


FIGURE 3

FIGURE 4

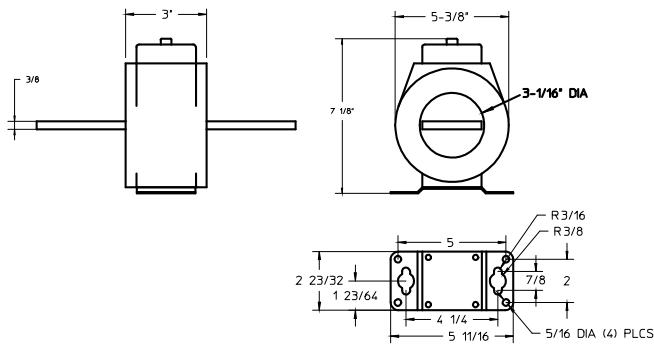
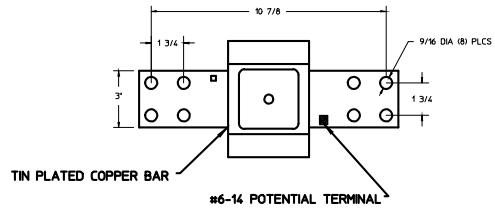
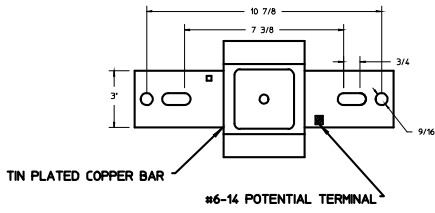


FIGURE 5

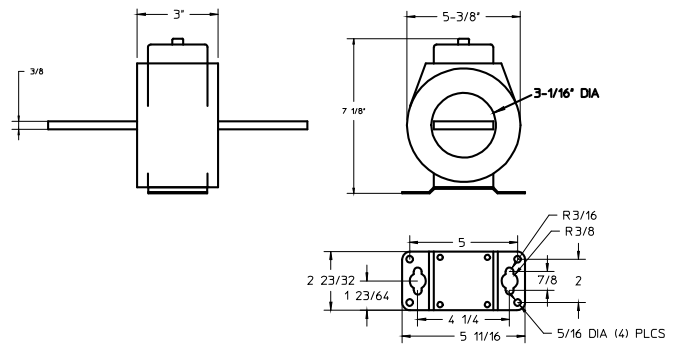


FIGURE 6

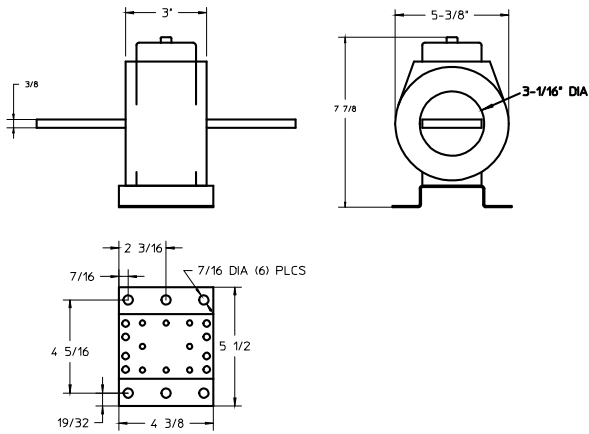


FIGURE 7

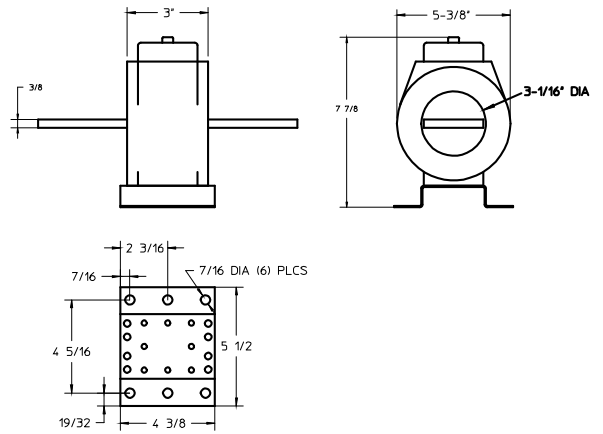


FIGURE 8

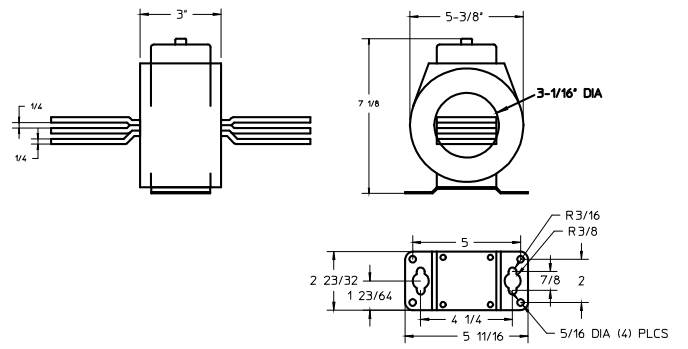
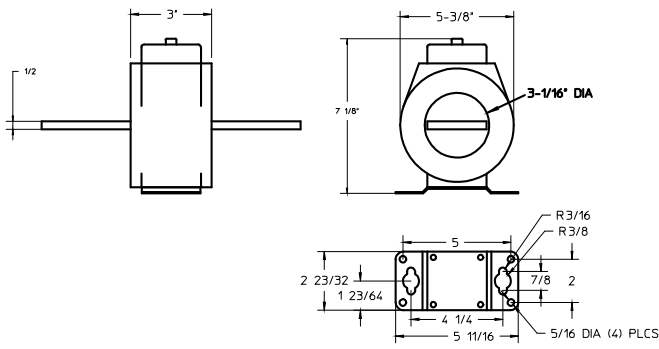
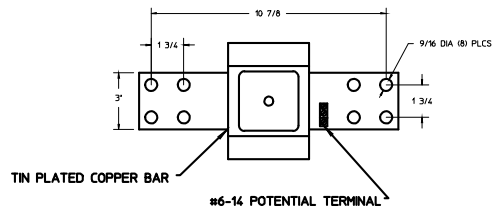
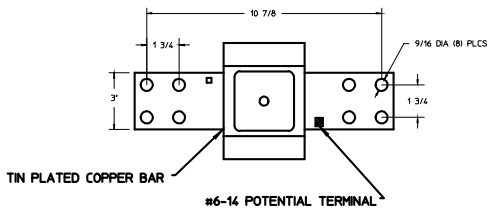


FIGURE 9

FIGURE 10

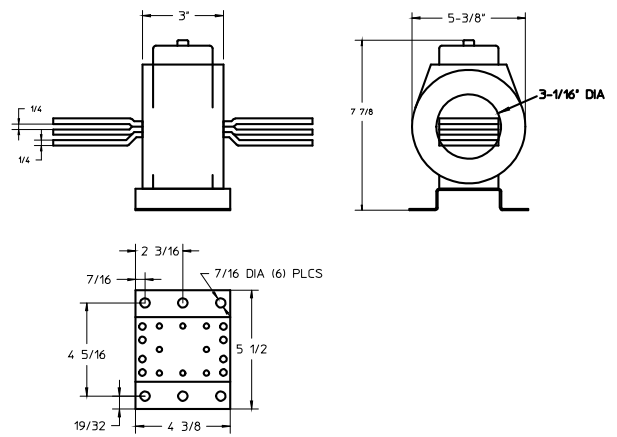
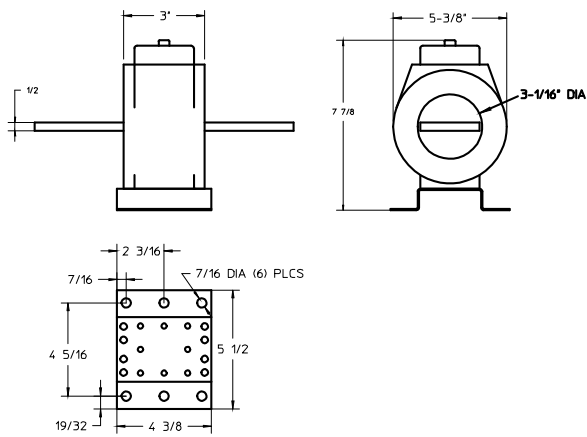


FIGURE 11

FIGURE 12

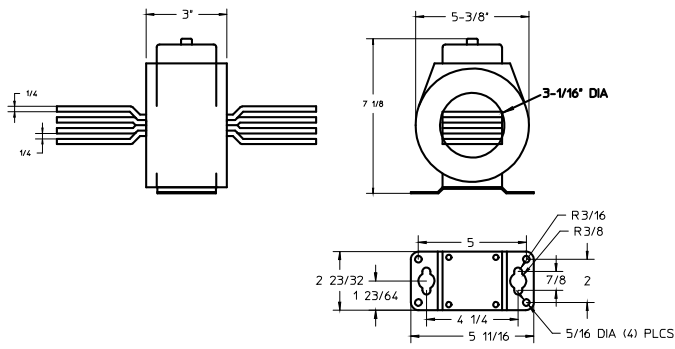
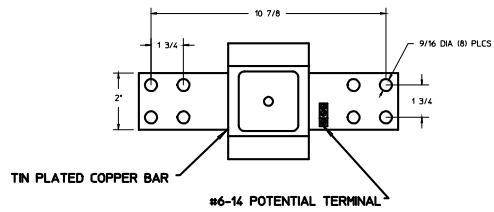


FIGURE 13

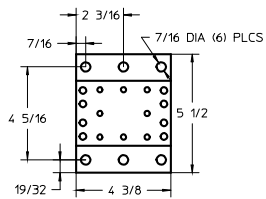
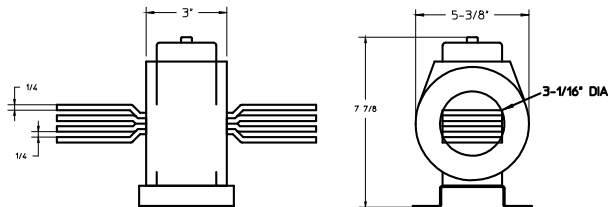
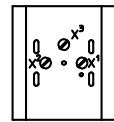
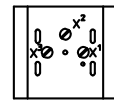


FIGURE 14



H¹
DUAL RATIO TERMINAL ARRANGEMENT

200/400:5



H¹
DUAL RATIO TERMINAL ARRANGEMENT

300/600:5, 400/800:5, 1000/2000:5

1500/3000:5, 2000/4000:5