

GEC Durham Industries, Inc.

TYPE TCW

INSTRUMENT CURRENT TRANSFORMER
600 VOLT CLASS MINIATURE WINDOW TYPE

Standard features:

- 60 Hertz, 600 VAC, 10KV Bil.
- Clear sealable secondary terminal cover.
- Retained shorting device.
- Certified test record with each transformer.
- Meets ANSI, NEMA and EEL standards.



TYPE TCW WITH STUD TYPE SECONDARY TERMINALS MOUNTING BASE NOT INCLUDED							
MODEL	PRIMARY AMPS	CATALOG NUMBER	BURDEN 0.3 ACCURACY CLASS	30 C RATING FACTOR	55 C RATING FACTOR	FIGURE	WEIGHT
TCW1	100	197E	0.2	4.0	4.0	1	5 lbs
TCW2	200	198E	0.2	3.0	2.0	4	4 lbs
TCW3	300	230E	0.2	3.0	2.0	4	4 lbs
TCW4	400	231E	0.2	2.0	2.0	4	4 lbs

TYPE TCW WITH STUD TYPE SECONDARY TERMINALS ALUMINUM LOW MOUNTING BASE INCLUDED							
MODEL	PRIMARY AMPS	CATALOG NUMBER	BURDEN 0.3 ACCURACY CLASS	30 C RATING FACTOR	55 C RATING FACTOR	FIGURE	WEIGHT
TCW1	100	197KBR	0.2	4.0	4.0	3	5 lbs
TCW2	200	198KBR	0.2	3.0	2.0	6	4 lbs
TCW3	300	230KBR	0.2	3.0	2.0	6	4 lbs
TCW4	400	231KBR	0.2	2.0	2.0	6	4 lbs

Specifications subject to change without notice

TYPE TCW WITH STUD TYPE SECONDARY TERMINALS ALUMINUM 2" HIGH MOUNTING BASE INCLUDED							
MODEL	PRIMARY AMPS	CATALOG NUMBER	BURDEN 0.3 ACCURACY CLASS	30 C RATING FACTOR	55 C RATING FACTOR	FIGURE	WEIGHT
TCW1	100	197KH	0.2	4.0	4.0	2	5 lbs
TCW2	200	198KH	0.2	3.0	2.0	5	4 lbs
TCW3	300	230KH	0.2	3.0	2.0	5	4 lbs
TCW4	400	231KH	0.2	2.0	2.0	5	4 lbs

TYPE TCW WITH PRESSURE TYPE SECONDARY TERMINALS MOUNTING BASE NOT INCLUDED							
MODEL	PRIMARY AMPS	CATALOG NUMBER	BURDEN 0.3 ACCURACY CLASS	30 C RATING FACTOR	55 C RATING FACTOR	FIGURE	WEIGHT
TCW1	100	197EP	0.2	4.0	4.0	1	5 lbs
TCW2	200	198EP	0.2	3.0	2.0	4	4 lbs
TCW3	300	230EP	0.2	3.0	2.0	4	4 lbs
TCW4	400	231EP	0.2	2.0	2.0	4	4 lbs

TYPE TCW WITH PRESSURE TYPE SECONDARY TERMINALS ALUMINUM LOW MOUNTING BASE INCLUDED							
MODEL	PRIMARY AMPS	CATALOG NUMBER	BURDEN 0.3 ACCURACY CLASS	30 C RATING FACTOR	55 C RATING FACTOR	FIGURE	WEIGHT
TCW1	100	197KBRP	0.2	4.0	4.0	3	5 lbs
TCW2	200	198KBRP	0.2	3.0	2.0	6	4 lbs
TCW3	300	230KBRP	0.2	3.0	2.0	6	4 lbs
TCW4	400	231KBRP	0.2	2.0	2.0	6	4 lbs

TYPE TCW WITH PRESSURE TYPE SECONDARY TERMINALS ALUMINUM 2" HIGH MOUNTING BASE INCLUDED							
MODEL	PRIMARY AMPS	CATALOG NUMBER	BURDEN 0.3 ACCURACY CLASS	30 C RATING FACTOR	55 C RATING FACTOR	FIGURE	WEIGHT
TCW1	100	197KHP	0.2	4.0	4.0	2	5 lbs
TCW2	200	198KHP	0.2	3.0	2.0	5	4 lbs
TCW3	300	230KHP	0.2	3.0	2.0	5	4 lbs
TCW4	400	231KHP	0.2	2.0	2.0	5	4 lbs

Specifications subject to change without notice

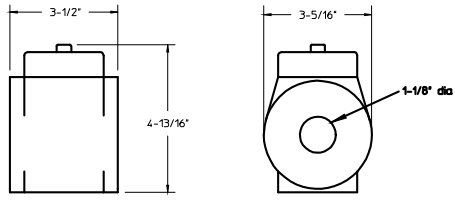


Figure 1

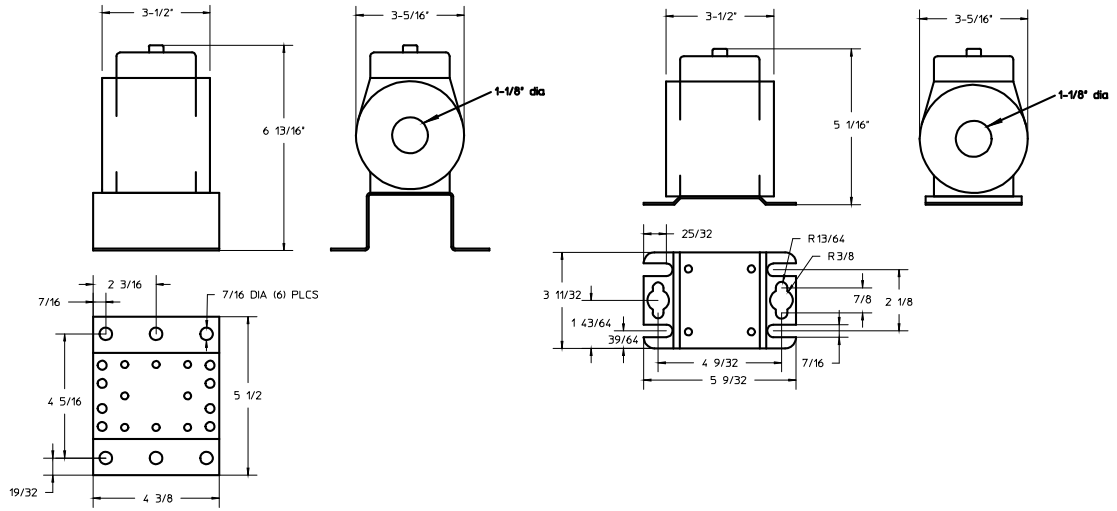


Figure 2

Figure 3

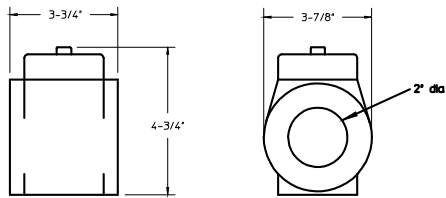


Figure 4

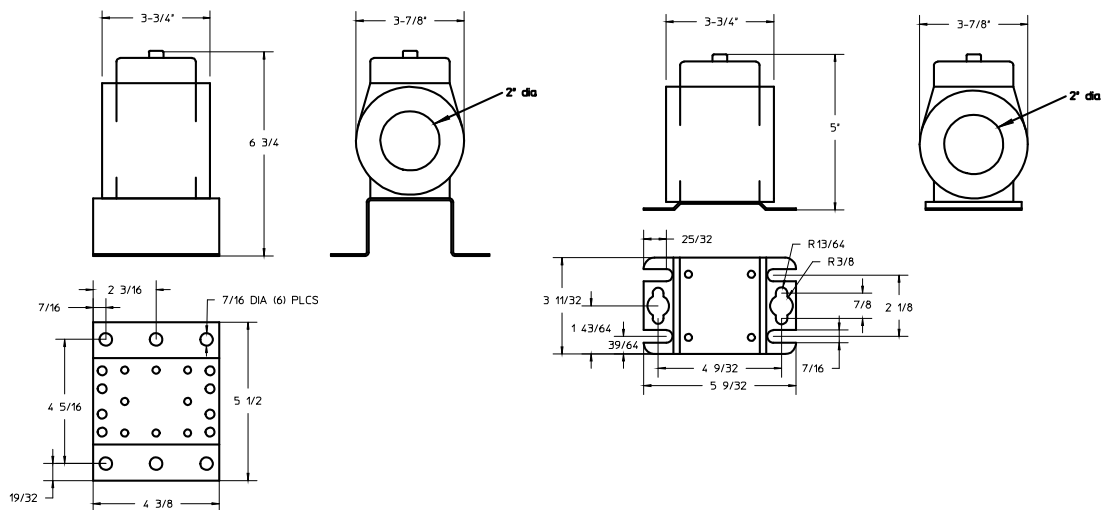


Figure 5

Figure 6