

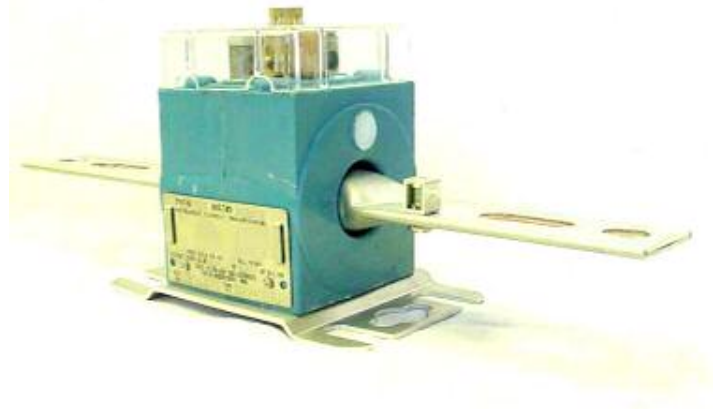
GEC Durham Industries, Inc.

TYPE TCB

INSTRUMENT CURRENT TRANSFORMER
600 VOLT CLASS MINIATURE BAR TYPE

Standard features:

60 Hertz, 600 VAC, 10KV Bil.
Clear sealable secondary terminal cover.
Retained shorting device.
#6-14 Potential terminal.
Tinned plated copper bus bar.
Certified test record with each transformer.
Meets ANSI, NEMA and EEI standards.



TYPE TCB WITH STUD TYPE SECONDARY TERMINALS MOUNTING BASE NOT INCLUDED							
MODEL	PRIMARY AMPS	CATALOG NUMBER	BURDEN 0.3 ACCURACY CLASS	30 C RATING FACTOR	55 C RATING FACTOR	FIGURE	WEIGHT
TCB11	100	173E	0.2	4.0	3.0	1	5 lbs
TCB21	200	199E	0.2	2.0	1.5	2	4 lbs
TCB31	300	233E	0.2	2.0	1.5	7	6 lbs
TCB41	400	234E	0.2	2.0	1.5	7	6 lbs
TCB61	600	235E	0.2	2.0	1.5	8	7 lbs
TCB81	800	229E	0.2	1.5	1.1	8	7 lbs

TYPE TCB WITH STUD TYPE SECONDARY TERMINALS ALUMINUM LOW MOUNTING BASE INCLUDED							
MODEL	PRIMARY AMPS	CATALOG NUMBER	BURDEN 0.3 ACCURACY CLASS	30 C RATING FACTOR	55 C RATING FACTOR	FIGURE	WEIGHT
TCB11	100	173KBR	0.2	4.0	3.0	3	5 lbs
TCB21	200	199KBR	0.2	2.0	1.5	4	4 lbs
TCB31	300	233KBR	0.2	2.0	1.5	9	6 lbs
TCB41	400	234KBR	0.2	2.0	1.5	9	6 lbs
TCB61	600	235KBR	0.2	2.0	1.5	10	7 lbs
TCB81	800	229KBR	0.2	1.5	1.1	10	7 lbs

Specifications subject to change without notice

5/26/04

**TYPE TCB
WITH STUD TYPE SECONDARY TERMINALS
ALUMINUM 2" HIGH MOUNTING BASE INCLUDED**

MODEL	PRIMARY AMPS	CATALOG NUMBER	BURDEN 0.3 ACCURACY CLASS	30 C RATING FACTOR	55 C RATING FACTOR	FIGURE	WEIGHT
TCB11	100	173KH	0.2	4.0	3.0	5	5 lbs
TCB21	200	199KH	0.2	2.0	1.5	6	4 lbs
TCB31	300	233KH	0.2	2.0	1.5	6	6 lbs
TCB41	400	234KH	0.2	2.0	1.5	11	6 lbs
TCB61	600	235KH	0.2	2.0	1.5	12	7 lbs
TCB81	800	229KH	0.2	1.5	1.1	12	7 lbs

**TYPE TCB
WITH PRESSURE TYPE SECONDARY TERMINALS
MOUNTING BASE NOT INCLUDED**

MODEL	PRIMARY AMPS	CATALOG NUMBER	BURDEN 0.3 ACCURACY CLASS	30 C RATING FACTOR	55 C RATING FACTOR	FIGURE	WEIGHT
TCB11	100	173EP	0.2	4.0	3.0	1	5 lbs
TCB21	200	199EP	0.2	2.0	1.5	2	4 lbs
TCB31	300	233EP	0.2	2.0	1.5	7	6 lbs
TCB41	400	234EP	0.2	2.0	1.5	7	6 lbs
TCB61	600	235EP	0.2	2.0	1.5	8	7 lbs
TCB81	800	229EP	0.2	1.5	1.1	8	7 lbs

**TYPE TCB
WITH PRESSURE TYPE SECONDARY TERMINALS
ALUMINUM LOW MOUNTING BASE INCLUDED**

MODEL	PRIMARY AMPS	CATALOG NUMBER	BURDEN 0.3 ACCURACY CLASS	30 C RATING FACTOR	55 C RATING FACTOR	FIGURE	WEIGHT
TCB11	100	173KBRP	0.2	4.0	3.0	3	5 lbs
TCB21	200	199KBRP	0.2	2.0	1.5	4	4 lbs
TCB31	300	233KBRP	0.2	2.0	1.5	9	6 lbs
TCB41	400	234KBRP	0.2	2.0	1.5	9	6 lbs
TCB61	600	235KBRP	0.2	2.0	1.5	10	7 lbs
TCB81	800	229KBRP	0.2	1.5	1.1	10	7 lbs

**TYPE TCB
WITH PRESSURE TYPE SECONDARY TERMINALS
ALUMINUM 2" HIGH MOUNTING BASE INCLUDED**

MODEL	PRIMARY AMPS	CATALOG NUMBER	BURDEN 0.3 ACCURACY CLASS	30 C RATING FACTOR	55 C RATING FACTOR	FIGURE	WEIGHT
TCB11	100	173KHP	0.2	4.0	3.0	5	5 lbs
TCB21	200	199KHP	0.2	2.0	1.5	6	4 lbs
TCB31	300	233KHP	0.2	2.0	1.5	11	6 lbs
TCB41	400	234KHP	0.2	2.0	1.5	11	6 lbs
TCB61	600	235KHP	0.2	2.0	1.5	12	7 lbs
TCB81	800	229KHP	0.2	1.5	1.1	12	7 lbs

Specifications subject to change without notice

5/26/04

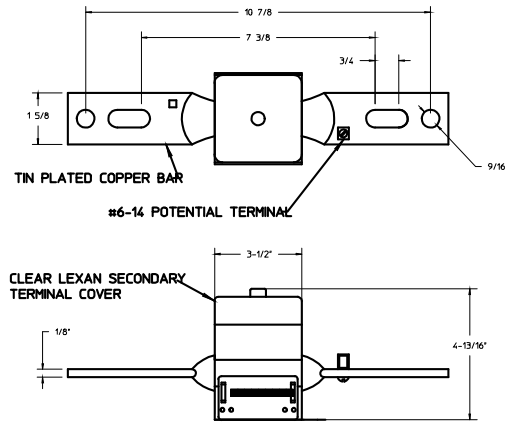


Figure 1

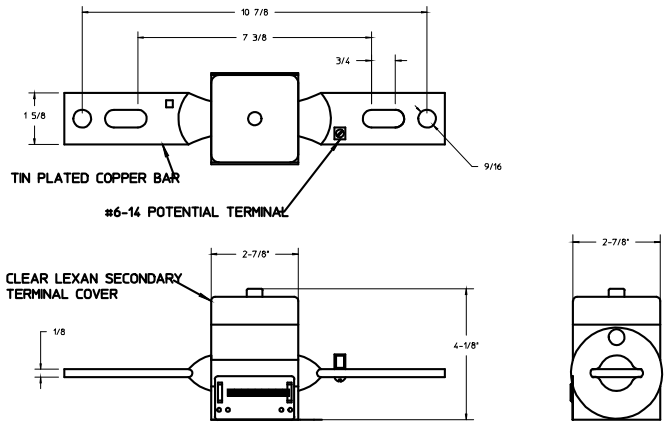


Figure 2

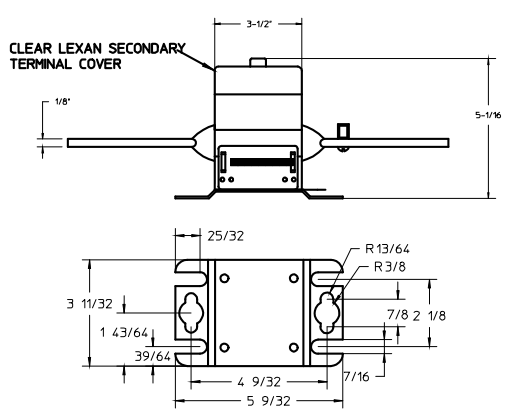


Figure 3

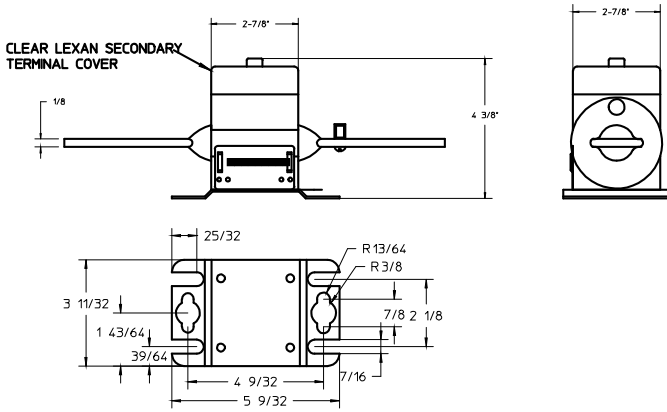


Figure 4

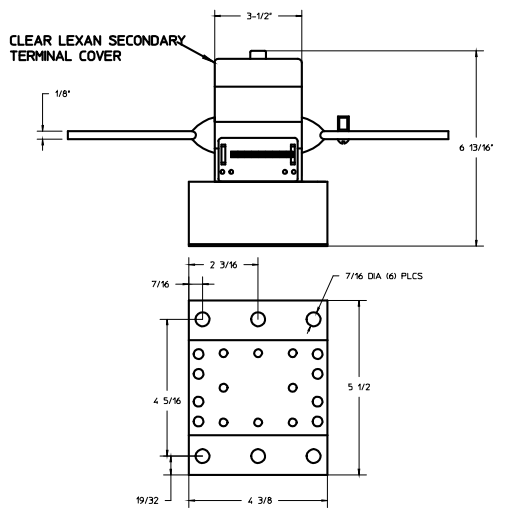


Figure 5

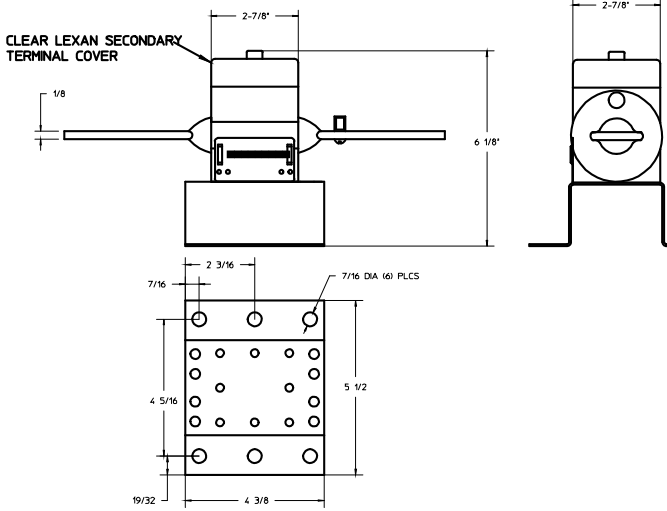


Figure 6

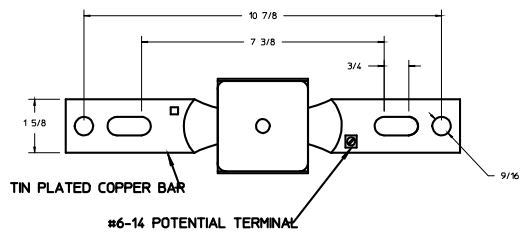


Figure 7

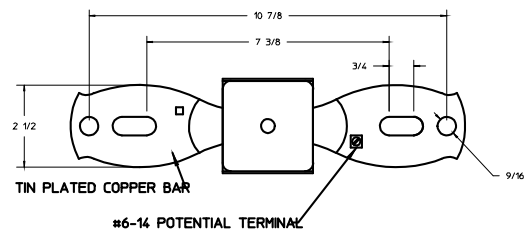


Figure 8

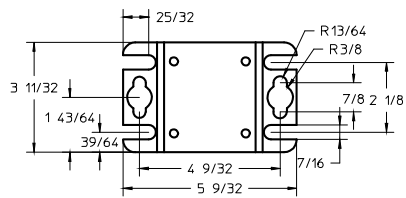
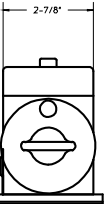
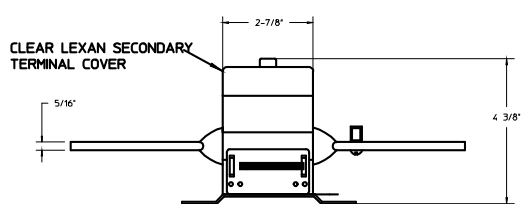
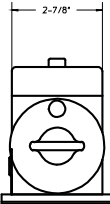
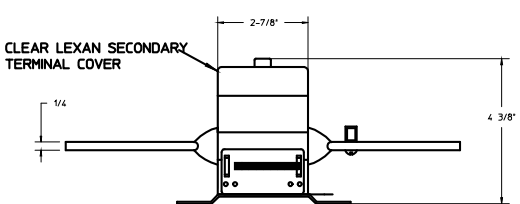
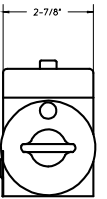
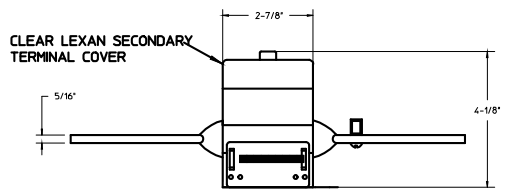
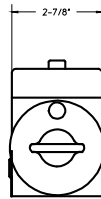
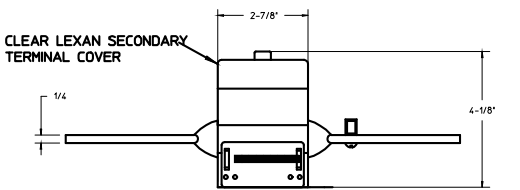


Figure 9

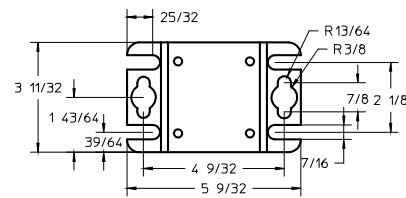


Figure 10

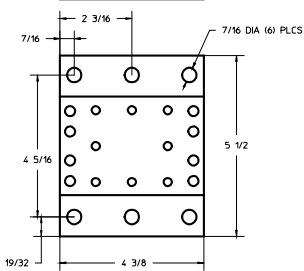
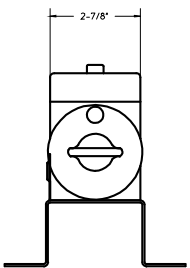
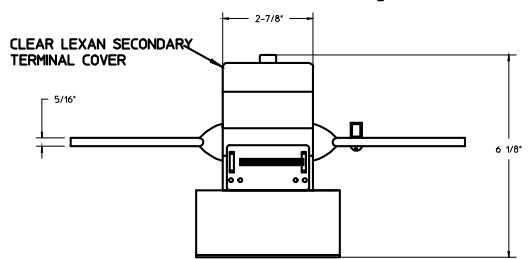
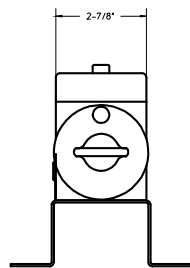
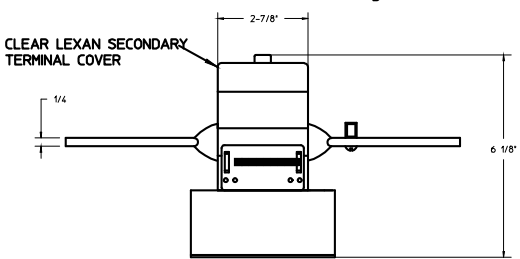


Figure 11

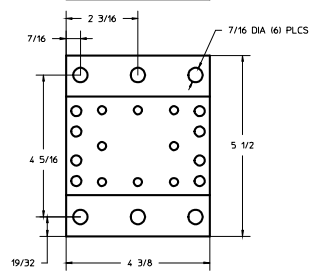


Figure 12