

GEC Durham Industries, Inc.

TYPE AA

INSTRUMENT CURRENT TRANSFORMER
600 VOLT CLASS MINIATURE WINDOW TYPE

Standard features:

- 60 Hertz, 600 VAC, 10KV Bil.
- Clear sealable secondary terminal cover.
- Retained shorting device.
- Certified test record with each transformer.
- Meets ANSI, NEMA and EEI standards.



TYPE AA WITH STUD TYPE SECONDARY TERMINALS MOUNTING BASE NOT INCLUDED							
MODEL	PRIMARY AMPS	CATALOG NUMBER	BURDEN 0.3 ACCURACY CLASS	30 C RATING FACTOR	55 C RATING FACTOR	FIGURE	WEIGHT
AA2	200	10E	0.5	3.0	3.0	1	5 lbs
AA3	300	11E	0.5	3.0	2.4	2	4 lbs
AA4	400	12E	0.5	3.0	2.4	2	4 lbs

TYPE AA WITH STUD TYPE SECONDARY TERMINALS ALUMINUM LOW MOUNTING BASE INCLUDED							
MODEL	PRIMARY AMPS	CATALOG NUMBER	BURDEN 0.3 ACCURACY CLASS	30 C RATING FACTOR	55 C RATING FACTOR	FIGURE	WEIGHT
AA2	200	10KBR	0.5	3.0	3.0	3	5 lbs
AA3	300	11KBR	0.5	3.0	2.4	4	4 lbs
AA4	400	12KBR	0.5	3.0	2.4	4	4 lbs

TYPE AA WITH STUD TYPE SECONDARY TERMINALS ALUMINUM 2" HIGH MOUNTING BASE INCLUDED							
MODEL	PRIMARY AMPS	CATALOG NUMBER	BURDEN 0.3 ACCURACY CLASS	30 C RATING FACTOR	55 C RATING FACTOR	FIGURE	WEIGHT
AA2	200	10HB	0.5	3.0	3.0	5	5 lbs
AA3	300	11HB	0.5	3.0	2.4	6	4 lbs
AA4	400	12HB	0.5	3.0	2.4	6	4 lbs

Specifications subject to change without notice

TYPE AA WITH PRESSURE TYPE SECONDARY TERMINALS MOUNTING BASE NOT INCLUDED							
MODEL	PRIMARY AMPS	CATALOG NUMBER	BURDEN 0.3 ACCURACY CLASS	30 C RATING FACTOR	55 C RATING FACTOR	FIGURE	WEIGHT
AA2	200	10EP	0.5	3.0	3.0	1	5 lbs
AA3	300	11EP	0.5	3.0	2.4	2	4 lbs
AA4	400	12EP	0.5	3.0	2.4	2	4 lbs

TYPE AA WITH PRESSURE TYPE SECONDARY TERMINALS ALUMINUM LOW MOUNTING BASE INCLUDED							
MODEL	PRIMARY AMPS	CATALOG NUMBER	BURDEN 0.3 ACCURACY CLASS	30 C RATING FACTOR	55 C RATING FACTOR	FIGURE	WEIGHT
AA2	200	10KBRP	0.5	3.0	3.0	3	5 lbs
AA3	300	11KBRP	0.5	3.0	2.4	4	4 lbs
AA4	400	12KBRP	0.5	3.0	2.4	4	4 lbs

TYPE AA WITH PRESSURE TYPE SECONDARY TERMINALS ALUMINUM 2" HIGH MOUNTING BASE INCLUDED							
MODEL	PRIMARY AMPS	CATALOG NUMBER	BURDEN 0.3 ACCURACY CLASS	30 C RATING FACTOR	55 C RATING FACTOR	FIGURE	WEIGHT
AA2	200	10HBP	0.5	3.0	3.0	5	5 lbs
AA3	300	11HBP	0.5	3.0	2.4	6	4 lbs
AA4	400	12HBP	0.5	3.0	2.4	6	4 lbs

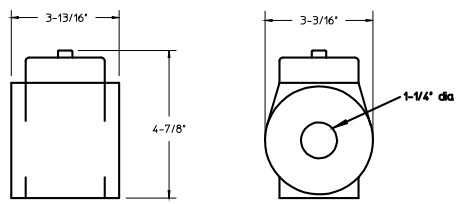


Figure 1

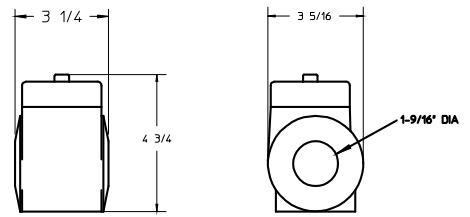


Figure 2

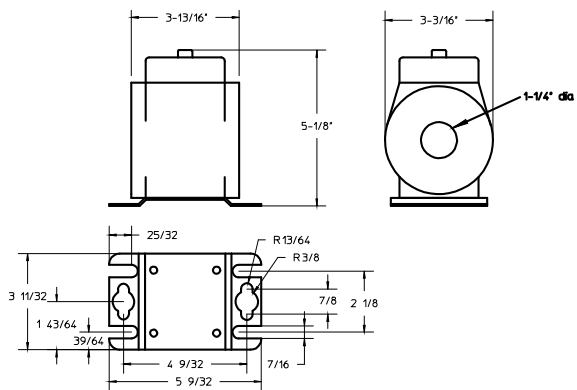


Figure 3

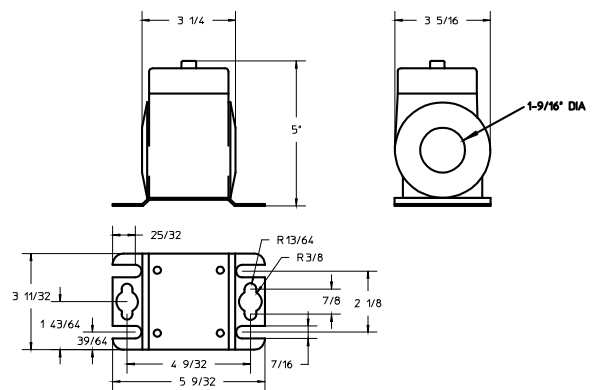


Figure 4

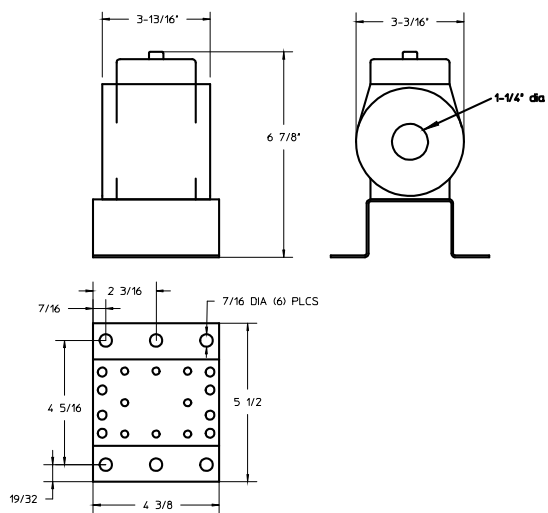


Figure 5

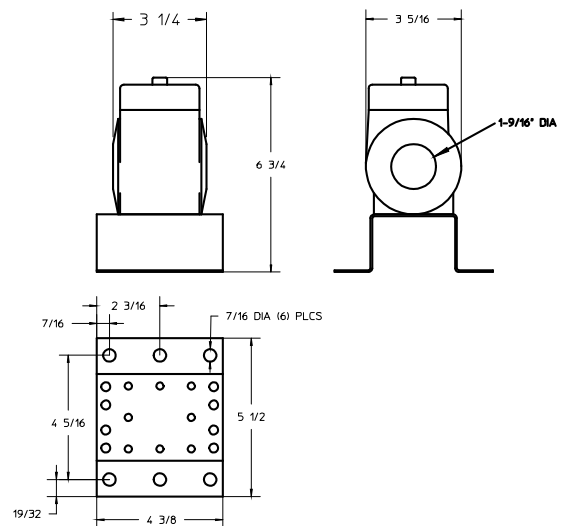


Figure 6