

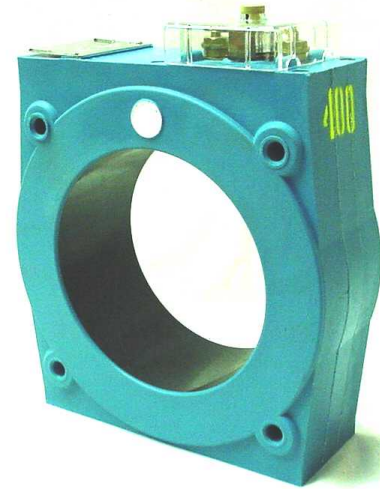
# GEC Durham Industries, Inc.

## TYPE AD

INSTRUMENT CURRENT TRANSFORMER  
600 VOLT CLASS LARGE TYPE I

### Standard features:

60 Hertz, 600 VAC, 10KV Bil.  
Clear sealable secondary terminal cover.  
Retained shorting device.  
Certified test record with each transformer.  
Meets ANSI, NEMA and EEI standards.



TYPE AD WITH STUD TYPE SECONDARY TERMINALS MOUNTING BASE NOT INCLUDED							
SINGLE RATIO							
MODEL	PRIMARY AMPS	CATALOG NUMBER	BURDEN 0.3 ACCURACY CLASS	30 C RATING FACTOR	55 C RATING FACTOR	FIGURE	WEIGHT
AD2	200	552E	0.2	4.0	4.0	1	17 lbs
AD4	400	554E	0.2	4.0	3.0	1	17 lbs
AD6	600	555E	0.5	3.0	2.4	1	17 lbs
AD8	800	556E	0.5	2.0	1.5	1	17 lbs
AD10	1000	562E	0.5	2.0	1.5	1	17 lbs
AD12	1200	557E	0.9	2.0	1.5	1	17 lbs
AD15	1500	558E	0.9	3.0	2.4	1	17 lbs
AD20	2000	559E	1.8	2.0	1.5	1	17 lbs
AD30	3000	560E	1.8	1.5	1.1	1	17 lbs
AD40	4000	561E	1.8	1.5	1.1	1	17 lbs
DUAL RATIO							
AD6/12	600/1200	564E	0.5/0.9	3.0/2.0	2.4/1.5	1	17 lbs
AD8/16	800/1600	565E	0.5/0.9	2.0/2.0	1.5/1.5	1	17 lbs
AD10/20	1000/2000	571E	0.5/1.8	2.0/2.0	1.5/1.5	1	17 lbs
AD15/30	1500/3000	572E	0.9/1.8	2.0/1.5	1.5/1.0	1	17 lbs
AD20/40	2000/4000	573E	1.8/1.8	2.0/1.5	1.5/1.0	1	17 lbs

Specifications subject to change without notice

TYPE AD							
WITH STUD TYPE SECONDARY TERMINALS							
2-PIECE STAINLESS STEEL MOUNTING BASE INCLUDED							
SINGLE RATIO							
MODEL	PRIMARY AMPS	CATALOG NUMBER	BURDEN 0.3 ACCURACY CLASS	30 C RATING FACTOR	55 C RATING FACTOR	FIGURE	WEIGHT
AD2	200	552M	0.2	4.0	4.0	2	17 lbs
AD4	400	554M	0.2	4.0	3.0	2	17 lbs
AD6	600	555M	0.5	3.0	2.4	2	17 lbs
AD8	800	556M	0.5	2.0	1.5	2	17 lbs
AD10	1000	562M	0.5	2.0	1.5	2	17 lbs
AD12	1200	557M	0.9	2.0	1.5	2	17 lbs
AD15	1500	558M	0.9	3.0	2.4	2	17 lbs
AD20	2000	559M	1.8	2.0	1.5	2	17 lbs
AD30	3000	560M	1.8	1.5	1.1	2	17 lbs
AD40	4000	561M	1.8	1.5	1.1	2	17 lbs
DUAL RATIO							
AD6/12	600/1200	564M	0.5/0.9	3.0/2.0	2.4/1.5	2	17 lbs
AD8/16	800/1600	565M	0.5/0.9	2.0/2.0	1.5/1.5	2	17 lbs
AD10/20	1000/2000	571M	0.5/1.8	2.0/2.0	1.5/1.5	2	17 lbs
AD15/30	1500/3000	572M	0.9/1.8	2.0/1.5	1.5/1.0	2	17 lbs
AD20/40	2000/4000	573M	1.8/1.8	2.0/1.5	1.5/1.0	2	17 lbs

TYPE AD							
WITH PRESSURE TYPE SECONDARY TERMINALS							
MOUNTING BASE NOT INCLUDED							
SINGLE RATIO							
MODEL	PRIMARY AMPS	CATALOG NUMBER	BURDEN 0.3 ACCURACY CLASS	30 C RATING FACTOR	55 C RATING FACTOR	FIGURE	WEIGHT
AD2	200	552EP	0.2	4.0	4.0	1	17 lbs
AD4	400	554EP	0.2	4.0	3.0	1	17 lbs
AD6	600	555EP	0.5	3.0	2.4	1	17 lbs
AD8	800	556EP	0.5	2.0	1.5	1	17 lbs
AD10	1000	562EP	0.5	2.0	1.5	1	17 lbs
AD12	1200	557EP	0.9	2.0	1.5	1	17 lbs
AD15	1500	558EP	0.9	3.0	2.4	1	17 lbs
AD20	2000	559EP	1.8	2.0	1.5	1	17 lbs
AD30	3000	560EP	1.8	1.5	1.1	1	17 lbs
AD40	4000	561EP	1.8	1.5	1.1	1	17 lbs
DUAL RATIO							
AD6/12	600/1200	564EP	0.5/0.9	3.0/2.0	2.4/1.5	1	17 lbs
AD8/16	800/1600	565EP	0.5/0.9	2.0/2.0	1.5/1.5	1	17 lbs
AD10/20	1000/2000	571EP	0.5/1.8	2.0/2.0	1.5/1.5	1	17 lbs
AD15/30	1500/3000	572EP	0.9/1.8	2.0/1.5	1.5/1.0	1	17 lbs
AD20/40	2000/4000	573EP	1.8/1.8	2.0/1.5	1.5/1.0	1	17 lbs

**TYPE AD  
WITH PRESSURE TYPE SECONDARY TERMINALS  
2-PIECE STAINLESS STEEL MOUNTING BASE INCLUDED**

**SINGLE RATIO**

<b>MODEL</b>	<b>PRIMARY AMPS</b>	<b>CATALOG NUMBER</b>	<b>BURDEN 0.3 ACCURACY CLASS</b>	<b>30 C RATING FACTOR</b>	<b>55 C RATING FACTOR</b>	<b>FIGURE</b>	<b>WEIGHT</b>
AD2	200	552MP	0.2	4.0	4.0	2	17 lbs
AD4	400	554MP	0.2	4.0	3.0	2	17 lbs
AD6	600	555MP	0.5	3.0	2.4	2	17 lbs
AD8	800	556MP	0.5	2.0	1.5	2	17 lbs
AD10	1000	562MP	0.5	2.0	1.5	2	17 lbs
AD12	1200	557MP	0.9	2.0	1.5	2	17 lbs
AD15	1500	558MP	0.9	3.0	2.4	2	17 lbs
AD20	2000	559MP	1.8	2.0	1.5	2	17 lbs
AD30	3000	560MP	1.8	1.5	1.1	2	17 lbs
AD40	4000	561MP	1.8	1.5	1.1	2	17 lbs
<b>DUAL RATIO</b>							
AD6/12	600/1200	564MP	0.5/0.9	3.0/2.0	2.4/1.5	2	17 lbs
AD8/16	800/1600	565MP	0.5/0.9	2.0/2.0	1.5/1.5	2	17 lbs
AD10/20	1000/2000	571MP	0.5/1.8	2.0/2.0	1.5/1.5	2	17 lbs
AD15/30	1500/3000	572MP	0.9/1.8	2.0/1.5	1.5/1.0	2	17 lbs
AD20/40	2000/4000	573MP	1.8/1.8	2.0/1.5	1.5/1.0	2	17 lbs

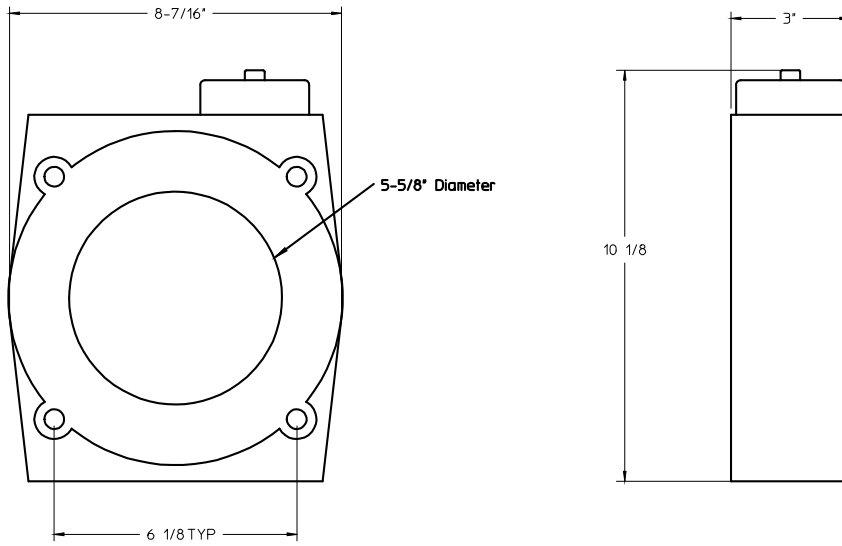
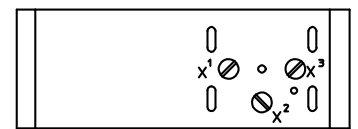
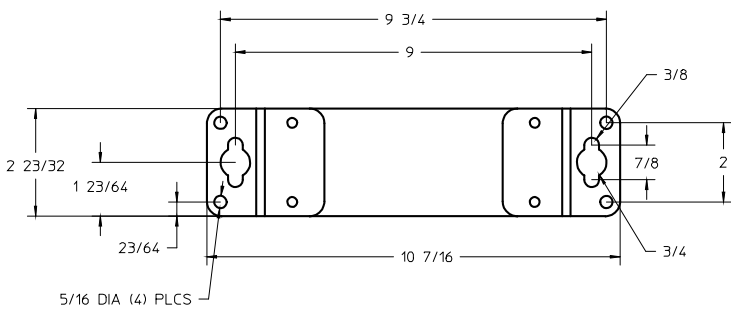
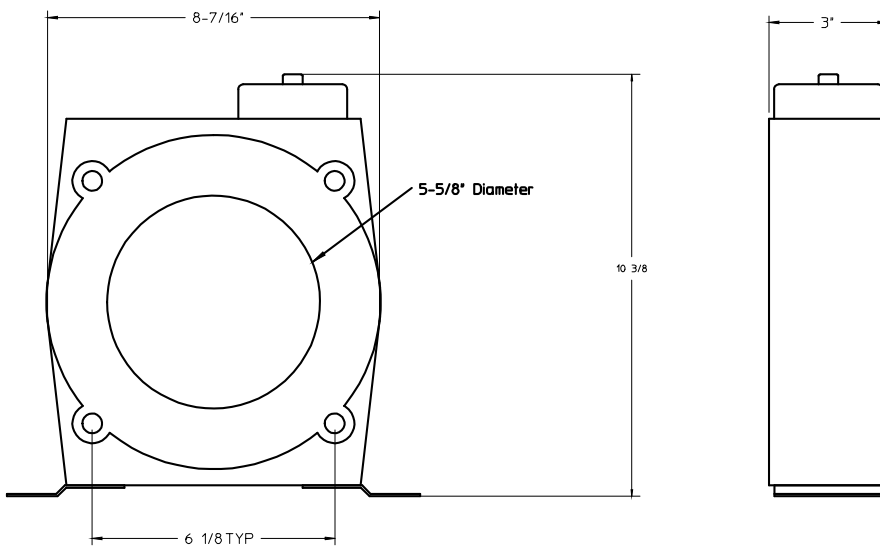


FIGURE 1



H<sup>1</sup>

FIGURE 2

DUAL RATIO TERMINAL ARRANGEMENT