

GEC Durham Industries, Inc.

TYPE AD

INSTRUMENT CURRENT TRANSFORMER
600 VOLT CLASS LARGE TYPE I

Standard features:

60 Hertz, 600 VAC, 10KV Bil.
Shorting device.
Certified test record with each transformer.
Meets ANSI, NEMA and EEI standards.



TYPE AD WITH STUD TYPE SECONDARY TERMINALS CRUCIFORM WINDOW							
MODEL	PRIMARY AMPS	CATALOG NUMBER	BURDEN 0.3 ACCURACY CLASS	30 C RATING FACTOR	55 C RATING FACTOR	FIGURE	WEIGHT
AD4	400	554X	0.2	4.0	3.0	1	15 lbs
AD6	600	555X	0.5	3.0	2.4	1	15 lbs
AD8	800	556X	0.5	2.0	1.5	1	15 lbs
AD10	1000	562X	0.5	2.0	1.5	1	15 lbs
AD12	1200	557X	0.9	2.0	1.5	1	15 lbs
AD15	1500	558X	0.9	3.0	2.4	1	15 lbs
AD20	2000	559X	1.8	2.0	1.5	1	15 lbs
AD30	3000	560X	1.8	1.5	1.1	1	15 lbs
AD40	4000	561X	1.8	1.5	1.1	1	15 lbs

Specifications subject to change without notice

7/7/04

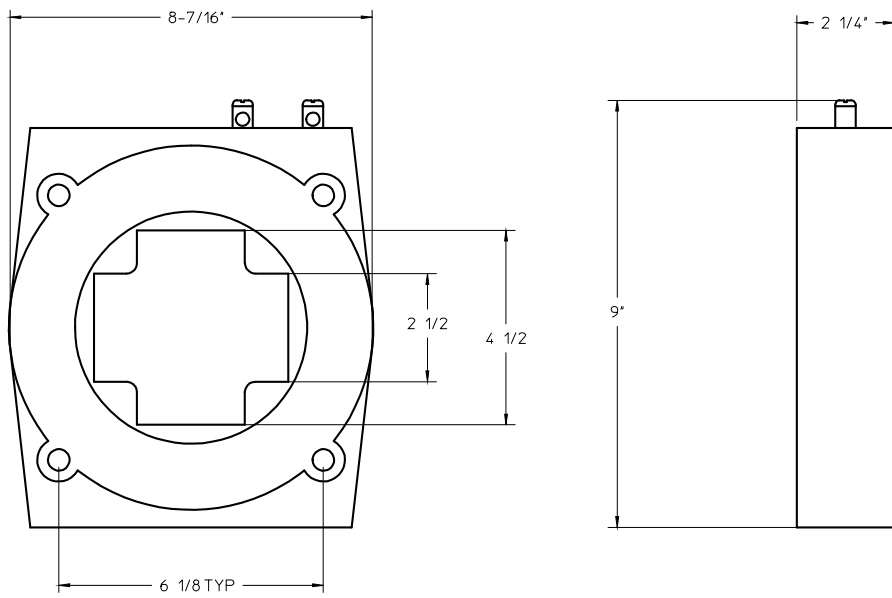


FIGURE 1