

# GEC Durham Industries, Inc.

## TYPE ACL

INSTRUMENT CURRENT TRANSFORMER  
600 VOLT CLASS LARGE TYPE II

### Standard features:

60 Hertz, 600 VAC, 10KV Bil.  
Clear sealable secondary terminal cover.  
Retained shorting device.  
Certified test record with each transformer.  
Meets ANSI, NEMA and EEL standards.



TYPE ACL WITH STUD TYPE SECONDARY TERMINALS MOUNTING BASE NOT INCLUDED							
SINGLE RATIO							
MODEL	PRIMARY AMPS	CATALOG NUMBER	BURDEN 0.3 ACCURACY CLASS	30 C RATING FACTOR	55 C RATING FACTOR	FIGURE	WEIGHT
ACL8	800	528	0.5	3.0	2.4	1	24lbs
ACL10	1000	529	0.5	3.0	2.4	1	24lbs
ACL12	1200	530	0.9	3.0	2.4	1	24lbs
ACL15	1500	531	0.9	3.0	2.4	1	24lbs
ACL20	2000	532	1.8	2.0	1.5	1	24lbs
ACL30	3000	533	1.8	2.0	1.5	1	24lbs
ACL40	4000	534	1.8	1.5	1.1	1	24lbs
DUAL RATIO							
ACL10/20	1000/2000	541	0.5/1.8	3.0/2.0	2.4/1.5	1	24lbs
ACL15/30	1500/3000	542	0.9/1.8	3.0/2.0	2.4/1.5	1	24lbs
ACL20/40	2000/4000	543	1.8/1.8	2.0/1.5	1.5/1.1	1	24lbs

Specifications subject to change without notice

5/26/04

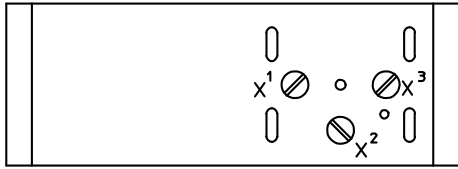
**TYPE ACL  
WITH PRESSURE TYPE SECONDARY TERMINALS  
MOUNTING BASE NOT INCLUDED**

**SINGLE RATIO**

<b>MODEL</b>	<b>PRIMARY AMPS</b>	<b>CATALOG NUMBER</b>	<b>BURDEN 0.3 ACCURACY CLASS</b>	<b>30 C RATING FACTOR</b>	<b>55 C RATING FACTOR</b>	<b>FIGURE</b>	<b>WEIGHT</b>
ACL8	800	528P	0.5	3.0	2.4	1	24lbs
ACL10	1000	529P	0.5	3.0	2.4	1	24lbs
ACL12	1200	530P	0.9	3.0	2.4	1	24lbs
ACL15	1500	531P	0.9	3.0	2.4	1	24lbs
ACL20	2000	532P	1.8	2.0	1.5	1	24lbs
ACL30	3000	533P	1.8	2.0	1.5	1	24lbs
ACL40	4000	534P	1.8	1.5	1.1	1	24lbs

**DUAL RATIO**

ACL10/20	1000/2000	541P	0.5/1.8	3.0/2.0	2.4/1.5	1	24lbs
ACL15/30	1500/3000	542P	0.9/1.8	3.0/2.0	2.4/1.5	1	24lbs
ACL20/40	2000/4000	543P	1.8/1.8	2.0/1.5	1.5/1.1	1	24lbs



H<sup>1</sup>

DUAL RATIO TERMINAL ARRANGEMENT

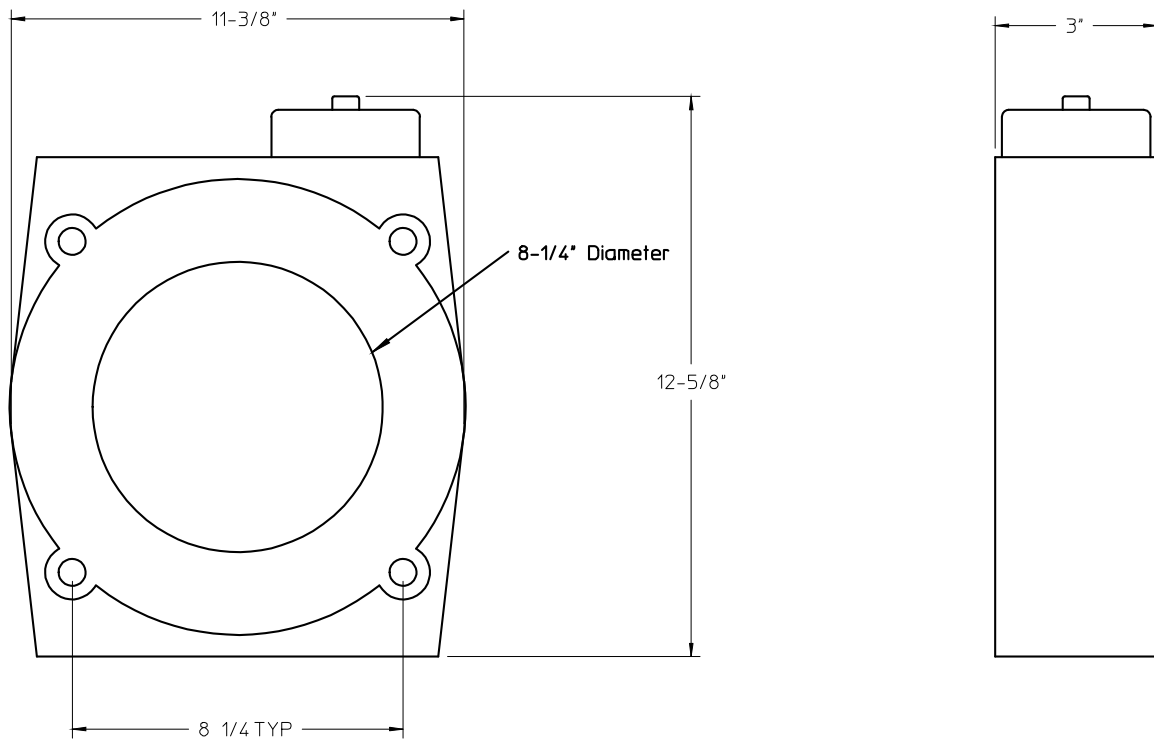


FIGURE 1